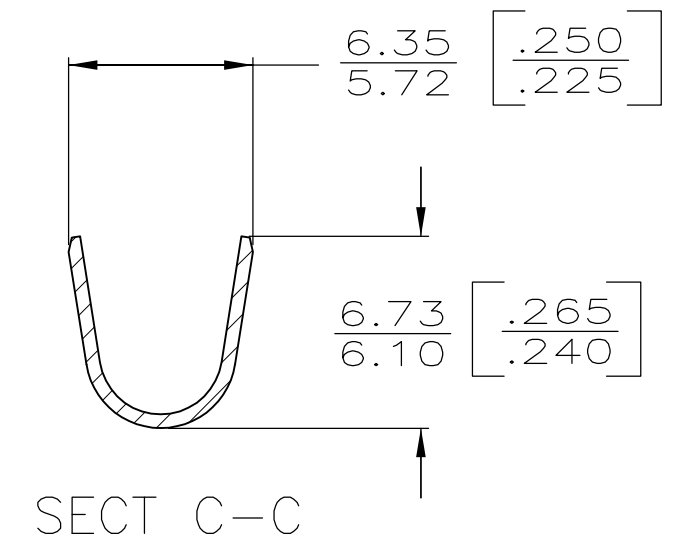
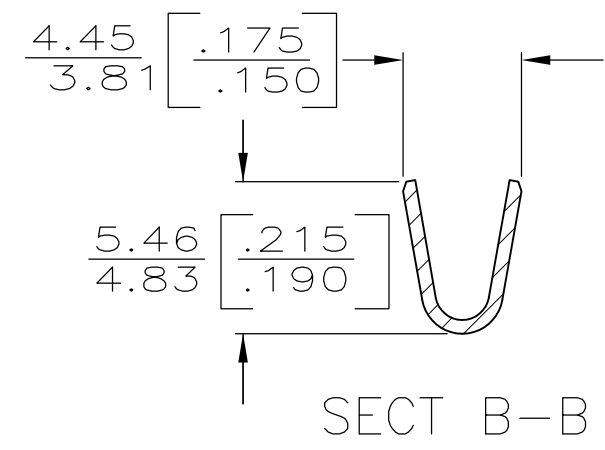
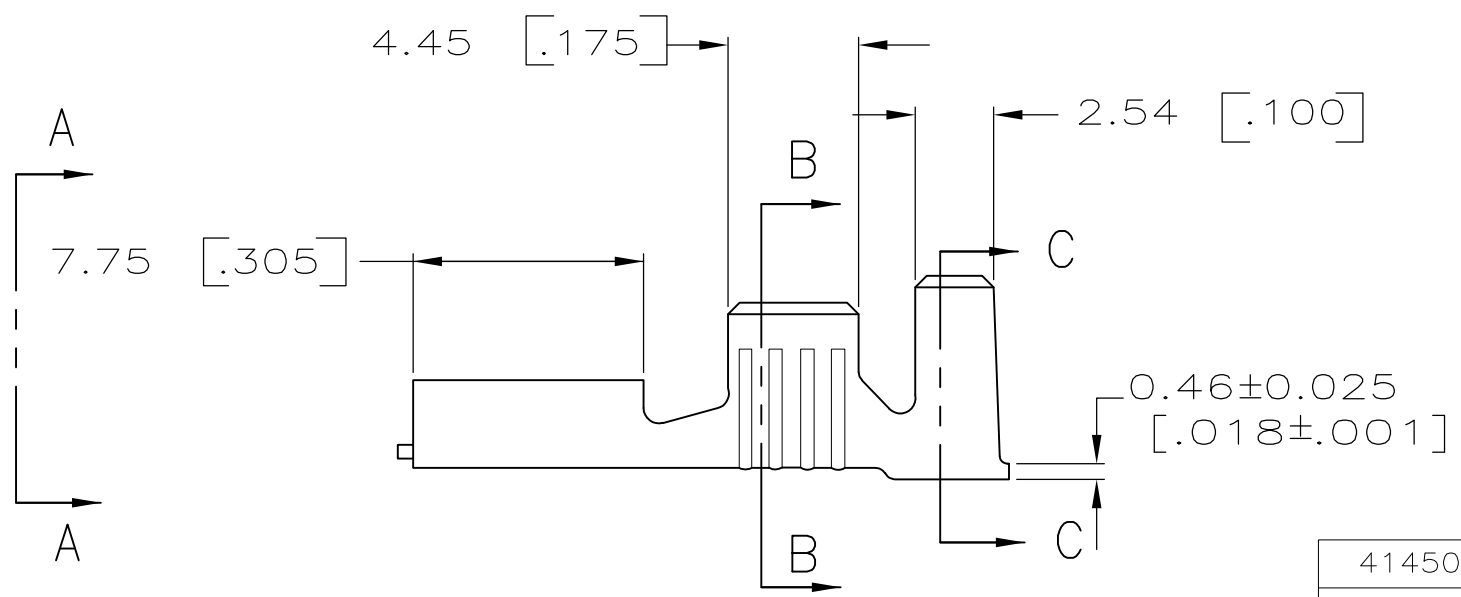
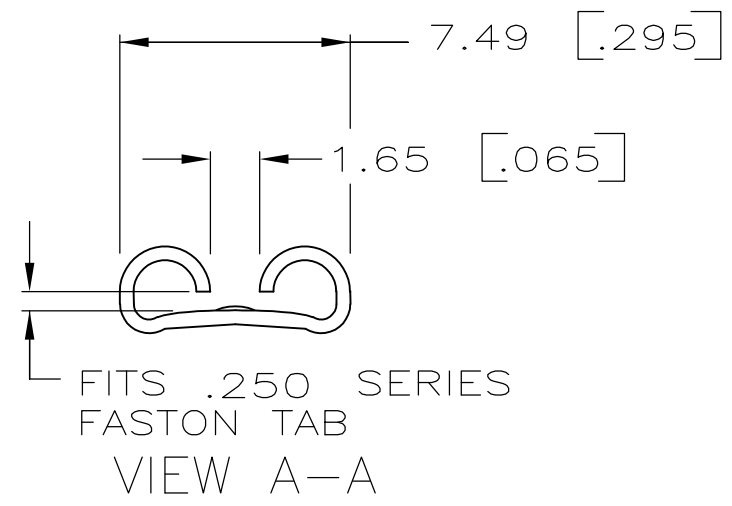
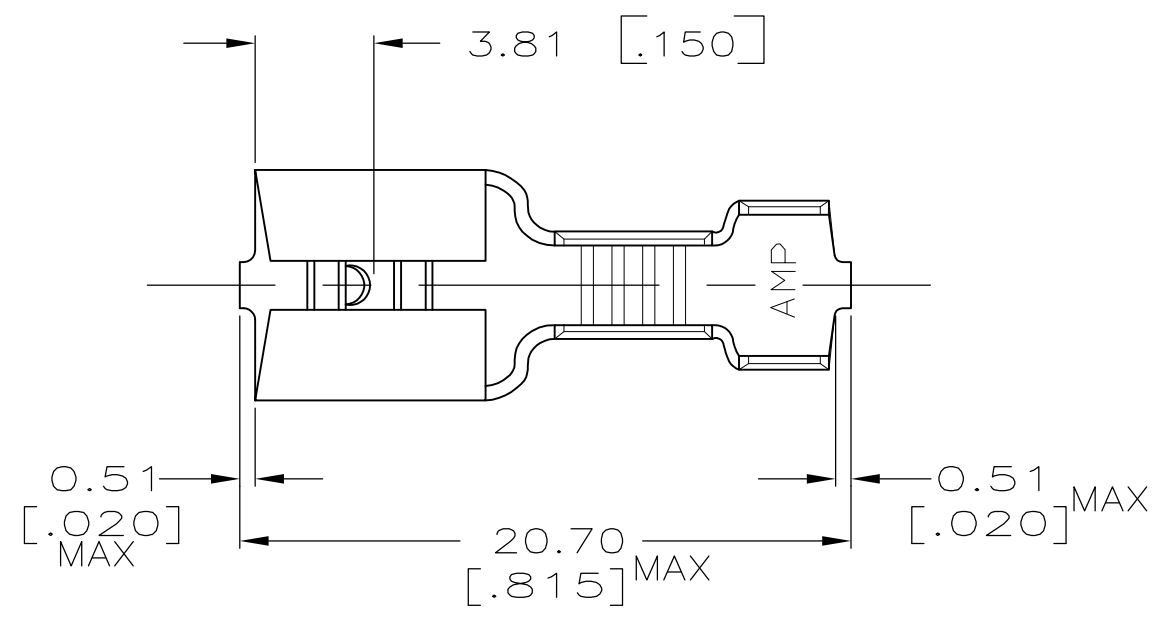


THIS DRAWING IS UNPUBLISHED. RELEASED FOR PUBLICATION
 © COPYRIGHT - By - ALL RIGHTS RESERVED.

LOC	DIST	REVISIONS			
P	LTR	DESCRIPTION	DATE	DWN	APVD
AF	50	B	REVISED PER ECR-12-013459	29NOV2012	KH PD

- 1 SUPPLIED IN LOOSE PIECE
- 2 WIRE SIZE IS 2.0-5.0mm² [14-10] AWG.
- 3 INSULATION RANGE IS 3.81-5.08 [.150-.200] DIA.
- 4 PRELIMINARY - NOT FOR PRODUCTION



41450-2	0.002032 [.000080] MIN TIN	T4 PHOS BRONZE	0.813 [.032]	△ 61227-2
41450	0.002032 [.000080] MIN TIN	BRASS	0.813 [.032]	61227-1
STRIP FORM	FINISH	MATERIAL	MATING TAB THK ±0.025 ±[.001]	PART NO

THIS DRAWING IS A CONTROLLED DOCUMENT.		DWN	JR RUTH	3/2/93	STE TE Connectivity												
DIMENSIONS: mm [INCHES]		CHK	MS FEHER	3/2/93													
TOLERANCES UNLESS OTHERWISE SPECIFIED:		APVD	C MEYERS	3/2/93													
<table border="0"> <tr><td>0 PLC</td><td>± -</td></tr> <tr><td>1 PLC</td><td>± -</td></tr> <tr><td>2 PLC</td><td>± -</td></tr> <tr><td>3 PLC</td><td>± 0.25 [.010]</td></tr> <tr><td>4 PLC</td><td>± -</td></tr> <tr><td>ANGLES</td><td>± -</td></tr> </table>		0 PLC	± -	1 PLC		± -	2 PLC	± -	3 PLC	± 0.25 [.010]	4 PLC	± -	ANGLES	± -	PRODUCT SPEC		NAME
0 PLC	± -																
1 PLC	± -																
2 PLC	± -																
3 PLC	± 0.25 [.010]																
4 PLC	± -																
ANGLES	± -																
MATERIAL	SEE TABLE	FINISH	SEE TABLE	WEIGHT	-												
CUSTOMER DRAWING		SIZE	A3	CAGE CODE	00779												
		DRAWING NO	C-61227		RESTRICTED TO	-											
		SCALE	4:1	SHEET	1 OF 1	REV	B										